

INSTALLATION STEPS L Banner Stand

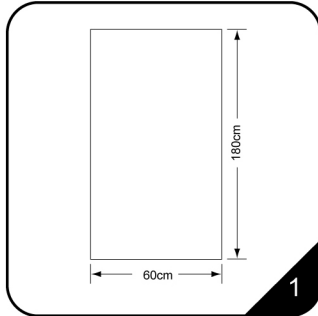
Modern appearance, stable quality, practicability & multiformity
Package and spotlight are available as accessories

Optional accessories

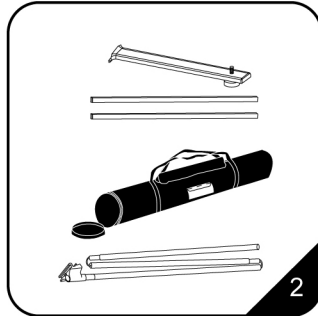


Voltage: 110V, 220V
 We have obtained CE certificate
 Fit for all models.

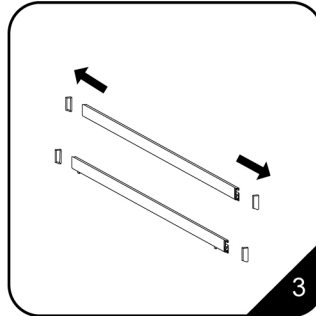
Distributor:



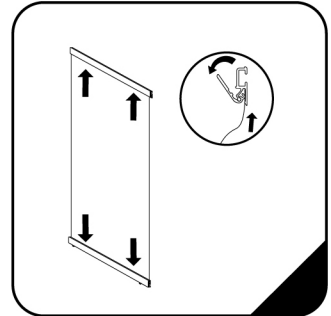
1. The overall graphic is 60cm (wide) and 180cm (high).



2. The case should contain two pieces base-unit, four pieces of snap-rails and two 3-piece-pole.

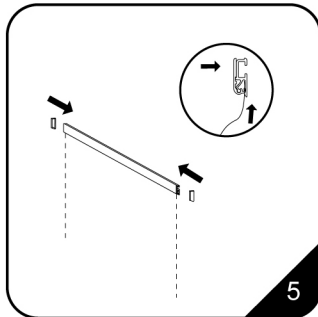


3. Remove the plastic end caps from the banner beam.

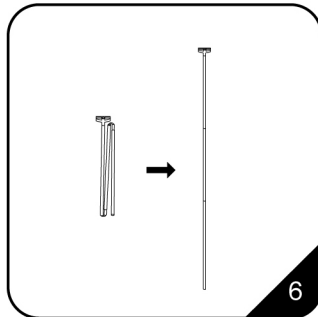


4. Insert both the graphics edge into the snap-rails.

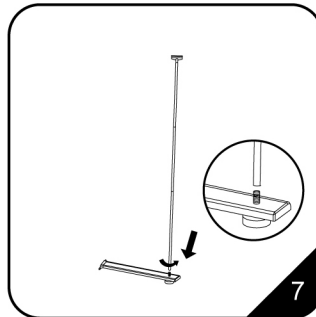
! The material thick should be between 0.2~0.4mm.



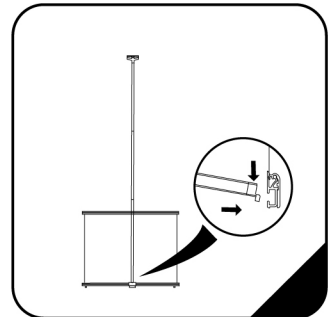
5. Slide the top of the graphic under the end-cap and close the end-cap to secure the graphic. Remove the plastic end caps from the upper beams.



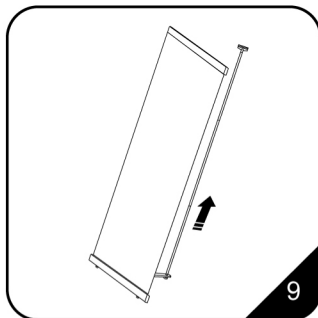
6. Stretch out both the 3-piece-poles.



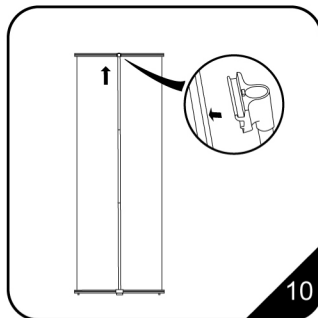
7. Insert both the 3-piece-poles into the hole of the base, then fix the other end of the base unit. Connect the two basic unit with a pole.



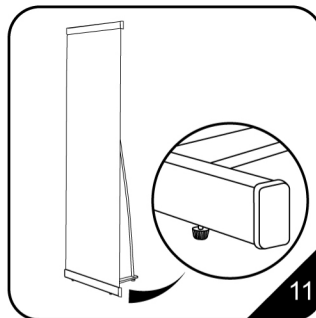
8. Take fix of the bottom pole with the special unit then spread the graphic to the top of the 3 piece pole.



9. Adjust the graphic into the right position with a special unit.



10. The hook at the top of the pole slips into the rear slot of the banner beam. A marker on the beam indicates the beam's centre where the pole should be inserted.



11. The unit can be levelled by adjusting the threaded feet at the bottom of the base unit.



CAUTION:
PLEASE READ THE INSTRUCTIONS BEFORE INSTALLING PRODUCT