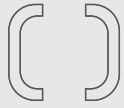


QuickZip™ Header Display

ASSEMBLY INSTRUCTIONS

BOX CONTENTS



(2) Side Poles



(2) Top & Bottom Poles



(2) Short Clamps



(1) Allen Key

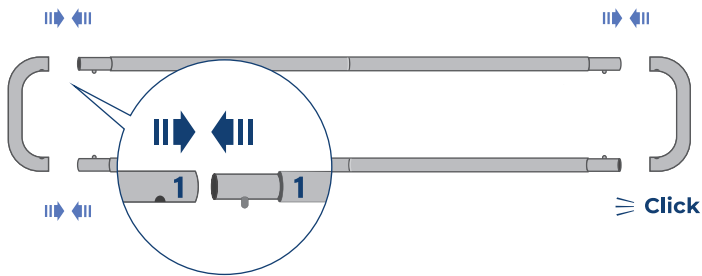


(1) Header Graphic
(Ships Separately)

1

Assemble the Frame

Connect the poles by matching up the numbers.

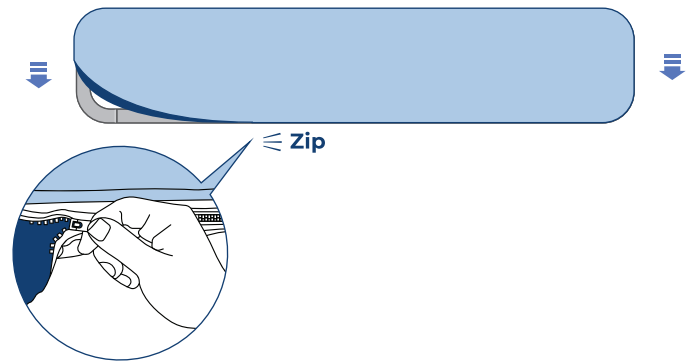


Match numbers 1 to 1, 2 to 2, etc.

2

Install the Graphic

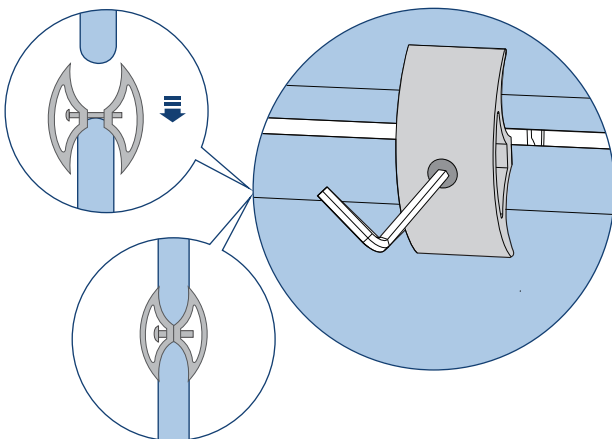
Carefully pull the graphic print over the frame, ensuring both sides are pulled down at the same time.



3

Attach Header to Backdrop

Starting with the display flat on the floor, align the header above the main frame and attach the clamps between the frames.



Tighten the clamps with the allen key to secure the header in place.

4

Align the Display

Carefully lift the frame and Header back to an upright position. Your display is ready for action!

