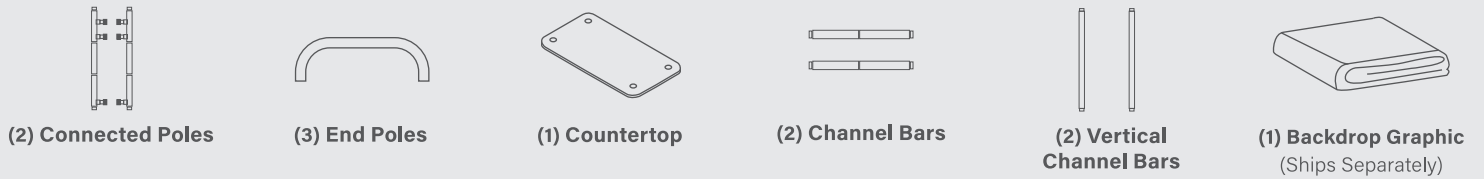


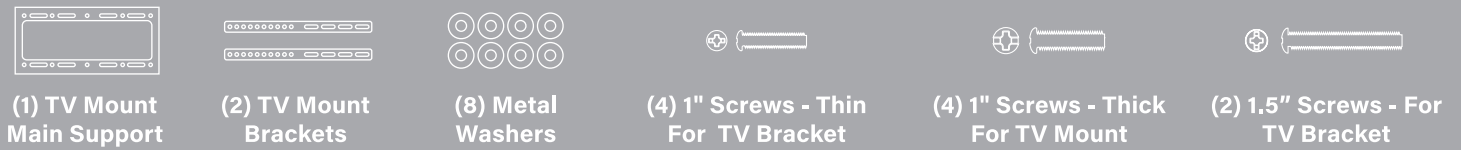
QuickZip™ Broadcast

ASSEMBLY INSTRUCTIONS

BOX CONTENTS



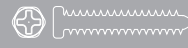
BOX CONTENTS - TV MONITOR HARDWARE



NOT FOR USE WITH DISPLAY



(4) Wall Anchors

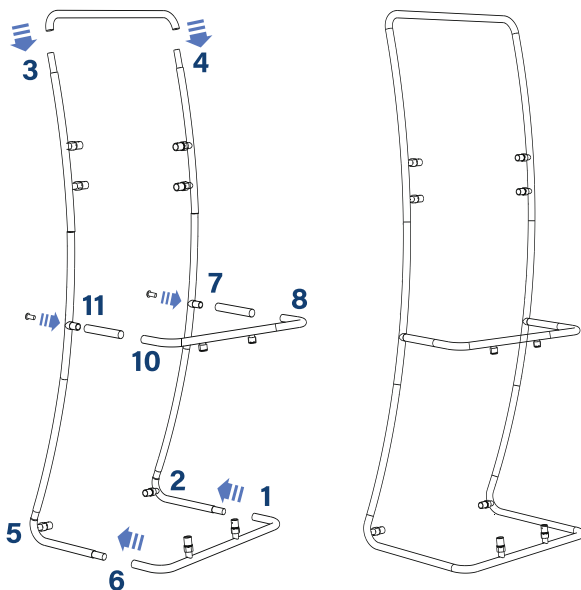


(4) Wall Anchor Screws

1

Assemble the frame

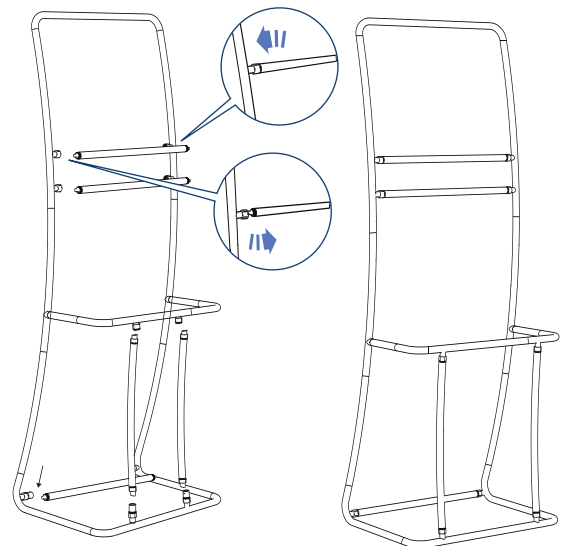
Connect the side poles by matching up the poles to each other and the end poles of the frame.



2

Attach the Channel Bars

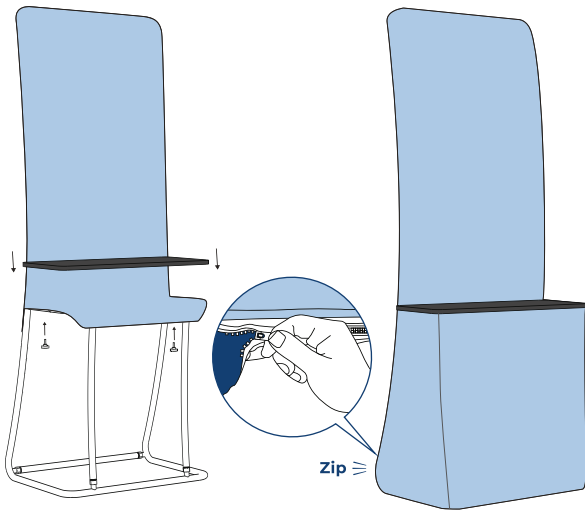
Secure the vertical and horizontal channel bars by simultaneously twisting each end.



3

Install the Graphic

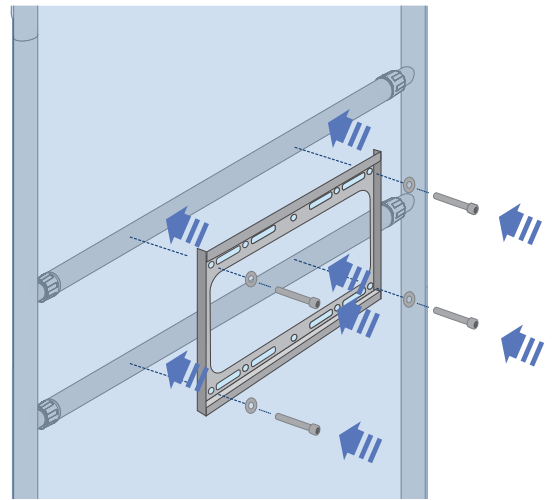
Starting from the top, pull down the graphic and secure the counter in place.



4

Attach TV Mount

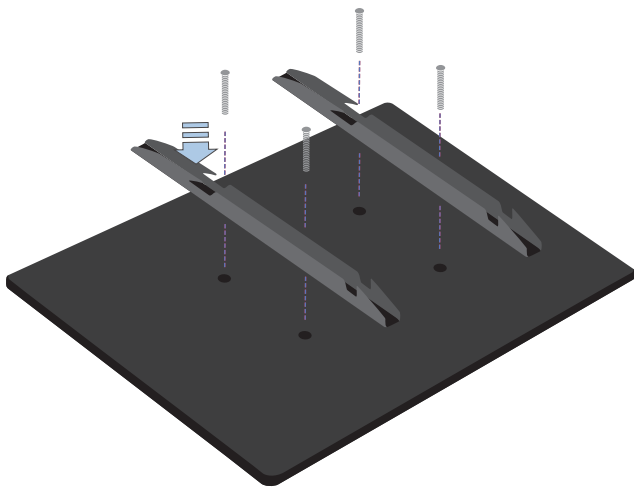
Screw the TV Mount on the display using the 1" Thick Screws and metal washers.



5

Attach Brackets to Monitor

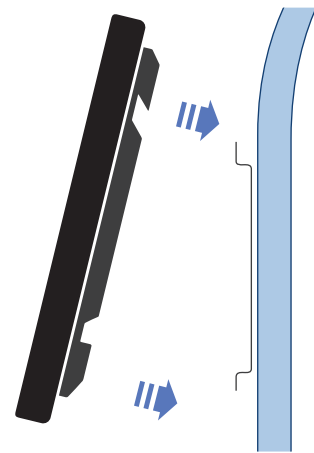
Attach the brackets on your monitor using the 1" Thin Screws.



6

Attach Monitor to Stand

Attach the monitor bracket hooks to the top of the monitor mount.



7

Secure the Brackets

Insert the 1.5" screws into the bottom holes of the brackets in order to safely secure the monitor to the mount.

