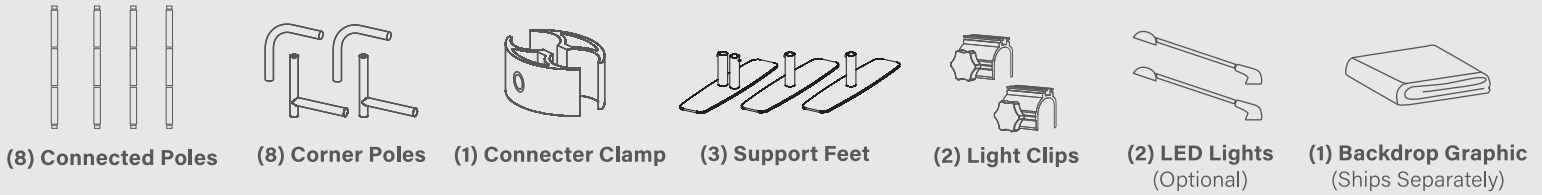


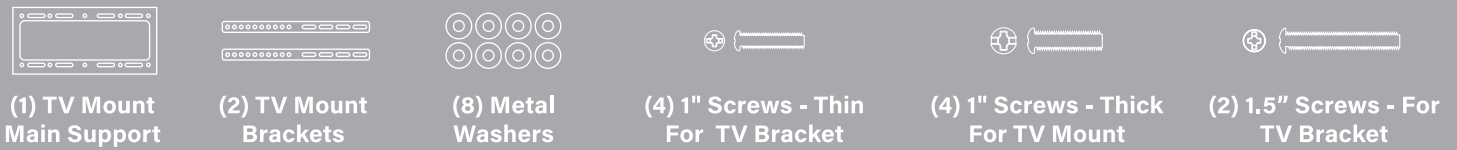
QuickZip™ Panel Kits

ASSEMBLY INSTRUCTIONS

BOX CONTENTS



BOX CONTENTS - TV MONITOR HARDWARE



NOT FOR USE WITH DISPLAY



(4) Wall Anchors

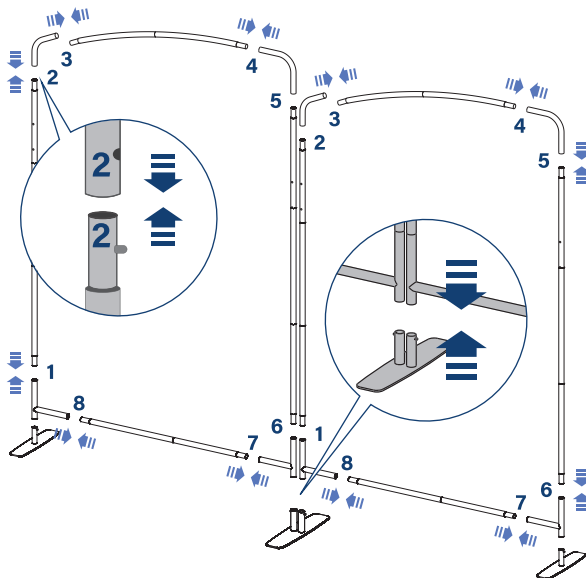


(4) Wall Anchor Screws

1

Assemble the Frame

Connect the poles by matching up the numbers. Attach support feet to the bottom of the frame.

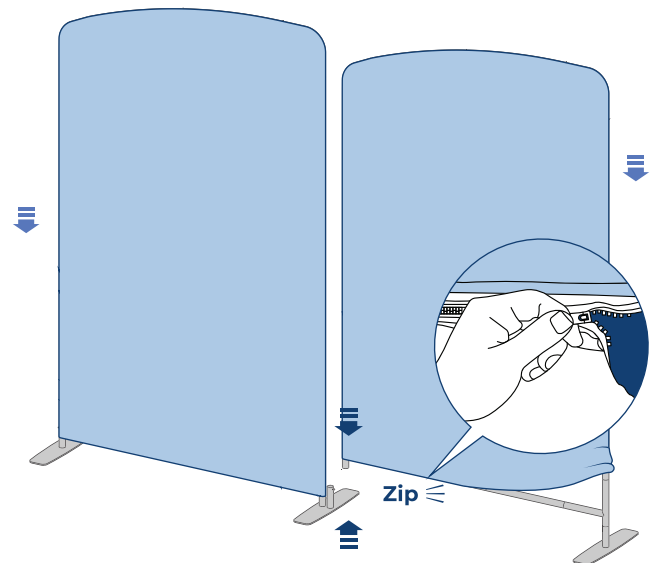


Match numbers 1 to 1, 2 to 2, etc.

2

Install the Graphic

Carefully pull the graphic print over the frame, ensuring both sides are pulled down at the same time.

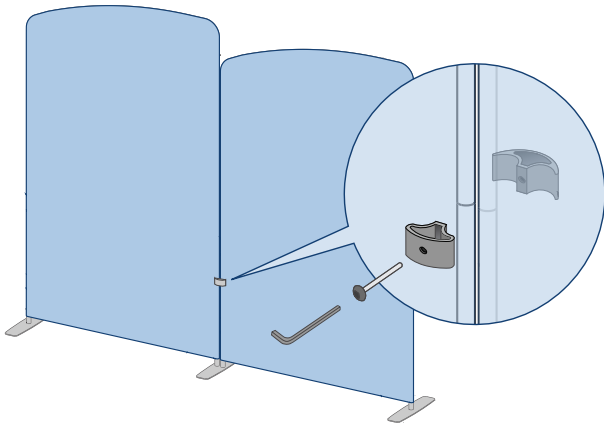


It helps to have a second person to pull the other side simultaneously.

3

Secure the Panels

Secure the panel connector clamp between the two frames for added support

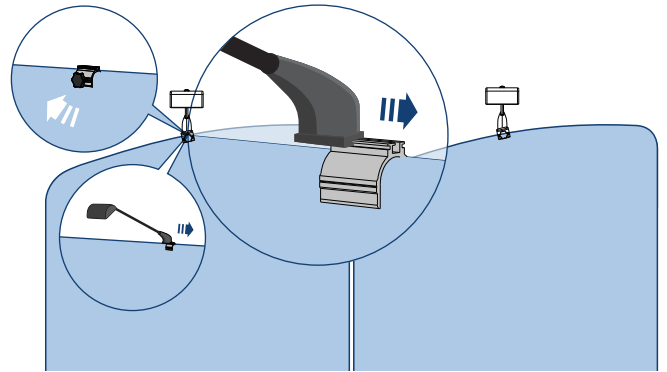


Use the Allen key to screw it in place.

4

Attach LED Lights (Optional)

Attach light clips to the frame (knobs facing back) and tighten until secure. Slide LED lights into the top grooves.

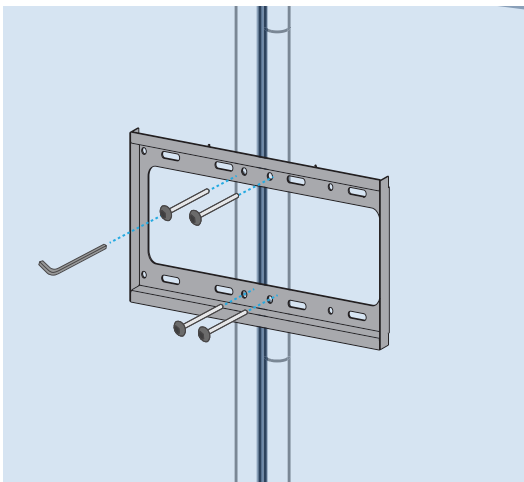


To avoid stripping the light clips, do not twist the knobs too tight.

5

Attach TV Mount

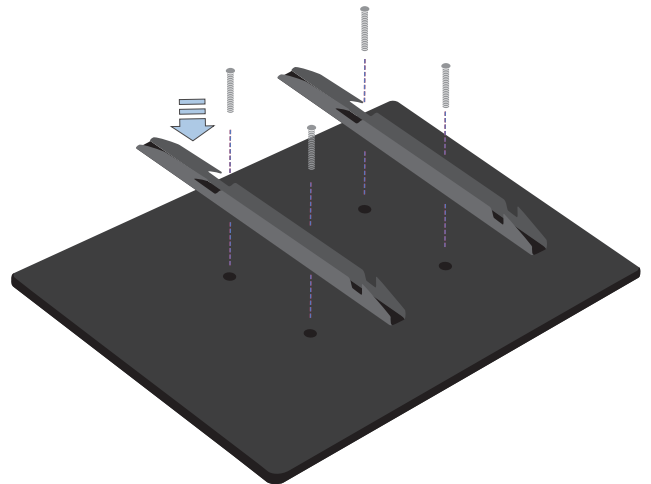
Screw the TV Mount on the Waterfall using the 1" Thick Screws and metal washers.



6

Attach Brackets to Monitor

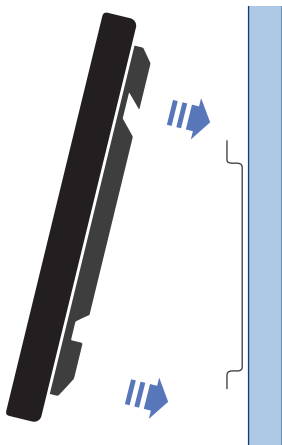
Attach the brackets on your monitor using the 1" Thin Screws.



7

Attach Monitor to Stand

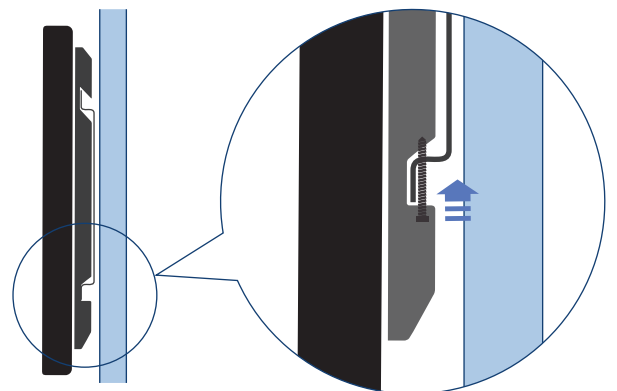
Attach the monitor bracket hooks to the top of the monitor mount.



8

Secure the Brackets

Insert the 1.5" screws into the bottom holes of the brackets in order to safely secure the monitor to the mount.



9

Ready to go!

