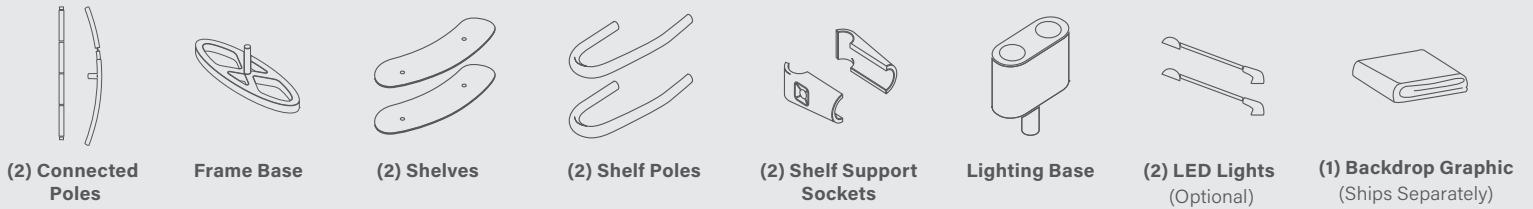


QuickZip™ Viper Kits

ASSEMBLY INSTRUCTIONS

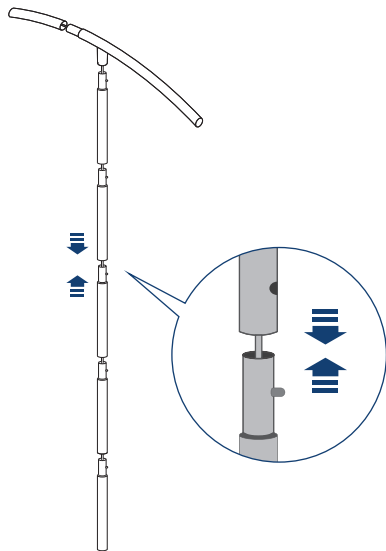
BOX CONTENTS



1

Assemble the Frame

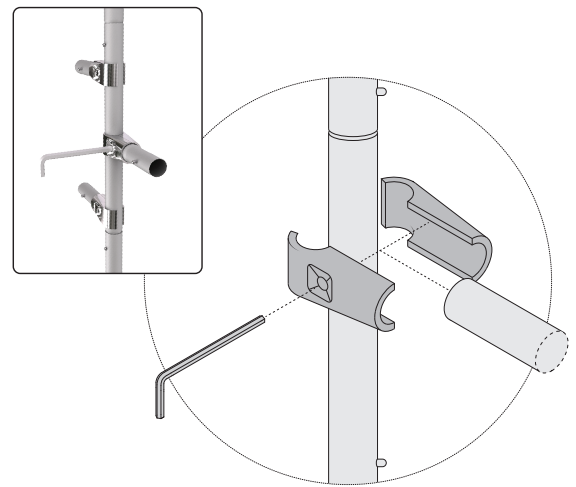
Connect the poles by matching up the poles to each other and the base of the frame.



2

Attach Shelf Support

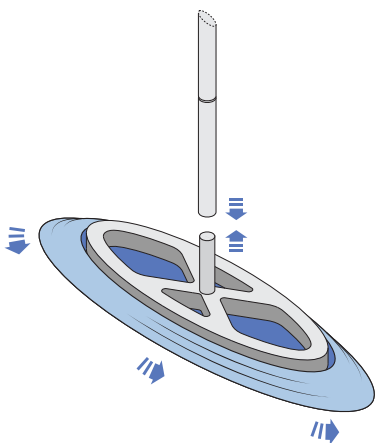
If your unit includes shelves, attach the shelf-support sockets to the center pole.



3

Attach Pole & Fabric to Base

Insert the silicon edge of the bottom of the graphic print into the groove along the edge of the base by pressing or sliding in.

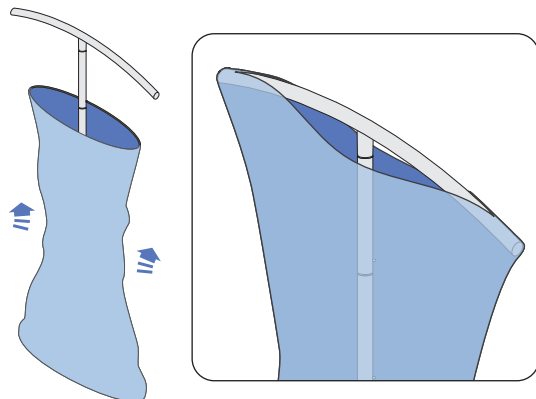


It helps to have a second person to pull the other side simultaneously.

4

Install the Graphic

Lift the fabric print to the top while tilting the stand towards you to make it easier.

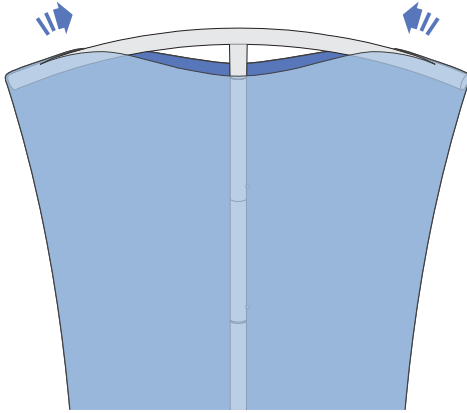


It helps to have a second person to pull the other side simultaneously.

3

Tighten the Graphic

Zip up the print on both sides only half-way.

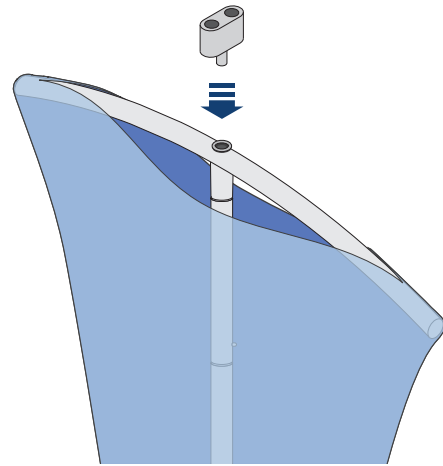


For the straight model, shorten the profile before lifting the fabric. Pull the frame out after you zip it half way.

4

Attach Lighting Base

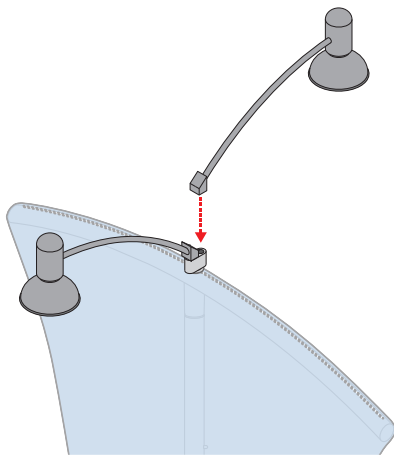
Place the base of the light fitting in the hole in the middle of the profile.



5

Attach LED lights

Fit both lights on and run the electric cords through the graphic.



Pull zipper to the end.

6

Attach Shelves

Slide the shelves through the open slits in the graphic and connect them to their support sockets.

