

QuickZip Waterfall™

ASSEMBLY INSTRUCTIONS

BOX CONTENTS - WATERFALL HARDWARE



(1) Top Connector



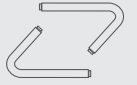
(2) Connected Poles



(3) Crossbars



(2) End Poles



(2) Corner Poles



(4) Shelf Screws



(2) Shelves



(4) Shelf Brackets



(1) TV Stand Graphic
(Ships Separately)

BOX CONTENTS - TV MONITOR HARDWARE



(1) TV Mount
Main Support



(2) TV Mount
Brackets



(8) Metal
Washers



(4) 1" Screws - Thin
For TV Bracket



(4) 1" Screws - Thick
For TV Mount



(2) 1.5" Screws - For
TV Bracket

NOT FOR USE WITH DISPLAY



(4) Wall Anchors

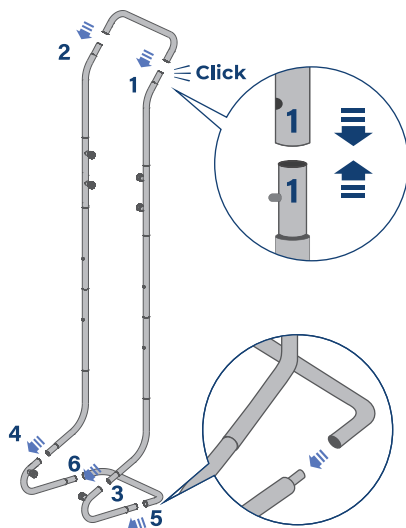


(4) Wall Anchor
Screws

1

Assemble the Frame

Using the numbers on the frame, connect the poles together.

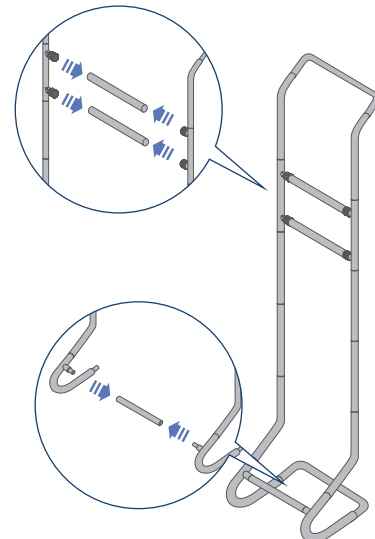


Match numbers 1 to 1, 2 to 2, etc.

2

Connect the Poles

Connect both sides together by using the crossbars. Connect both the top and bottom end poles.

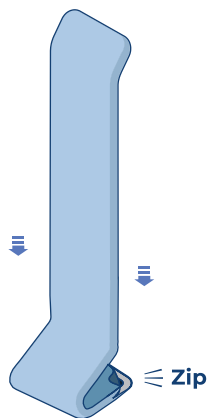


Once all crossbars are installed, tighten crossbar hubs until secure.

3

Install the Graphic

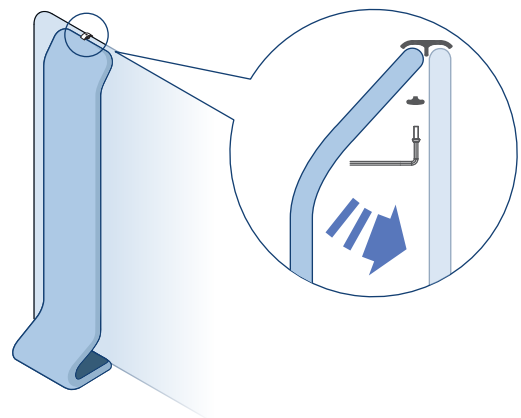
Carefully pull the graphic print over the frame, ensuring both sides are pulled down at the same time.



4

Attach to Backdrop

Use the Top connector piece to attach and secure the Waterfall to the Backdrop frame.

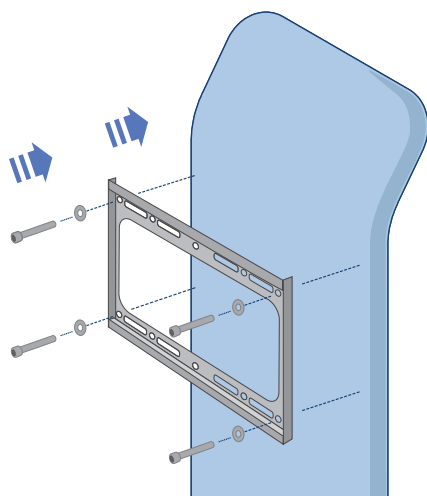


Use the Allen key to screw it in place.

5

Attach TV Mount

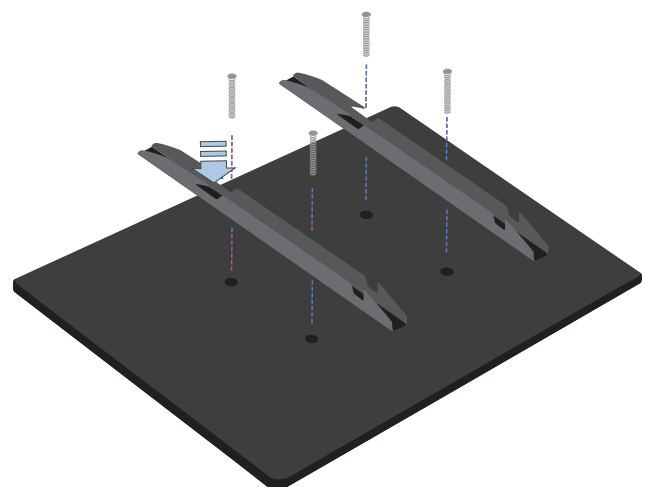
Screw the TV Mount on the Waterfall using the 1" TV Mount Screws and metal washers.



6

Attach Brackets to Monitor

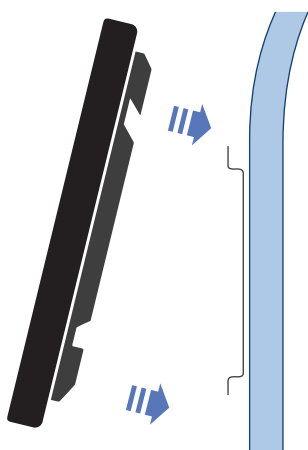
Attach the brackets on your monitor using the 1" Thin Screws.



7

Attach Monitor to Stand

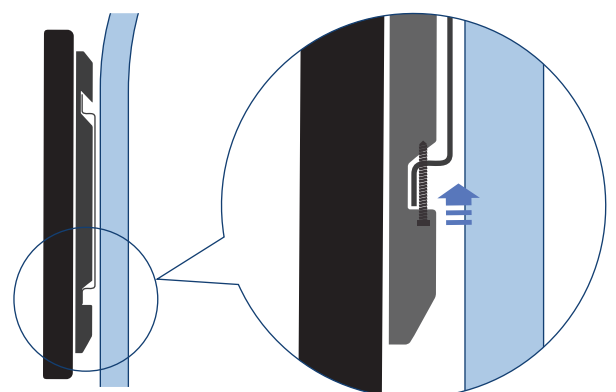
Attach the monitor bracket hooks to the top of the monitor mount.



8

Secure the Brackets

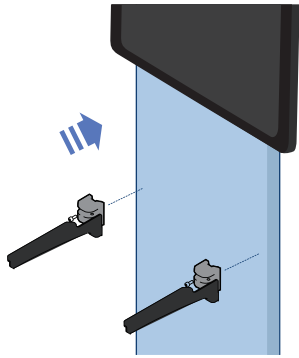
Insert the 1.5" screws into the bottom holes of the brackets in order to safely secure the monitor to the mount.



9

Attach Shelf Brackets

Align the brackets through the holes in the graphic with the holes in the frame. Insert the shelf screws and into place with the Allen key.



The straight sides of the brackets should be facing up

10

Place Shelves

Place the shelf on top of the metal support and secure by sliding into the plastic brackets.

