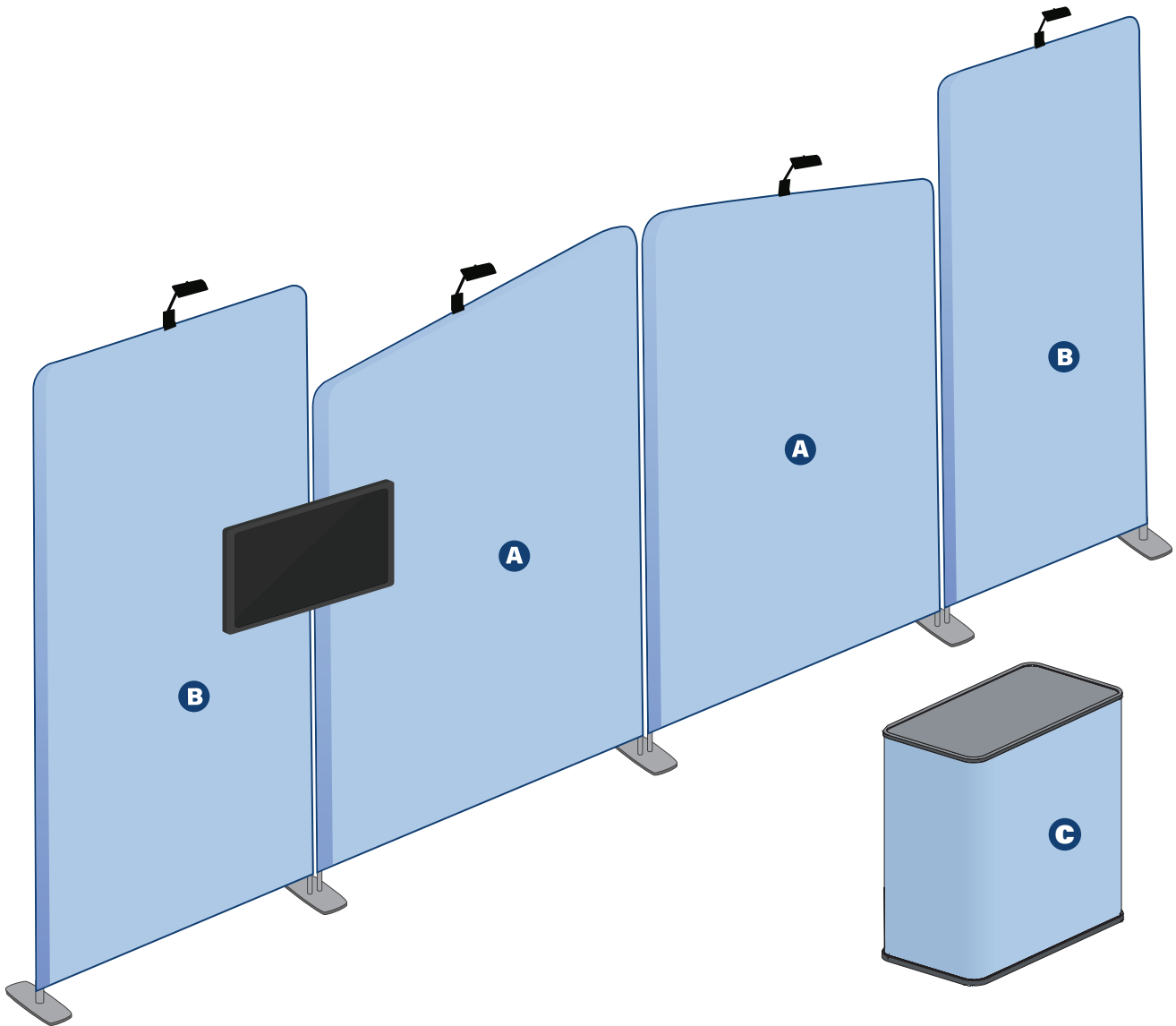


# QuickZip™ Monument Display

## ASSEMBLY INSTRUCTIONS



### INCLUDED:

- A QuickZip™ Monument Center Panels
- B QuickZip™ Monument Side Panels
- c Hardcase Podium



# QuickZip™ Monument Display

## ASSEMBLY INSTRUCTIONS

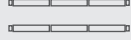
### BOX CONTENTS - FRAME HARDWARE



(3) Panel Clamps



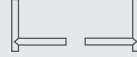
(5) Support Feet



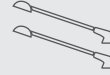
(20) Connected Poles



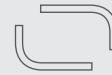
(4) Light Clips



(8) Bottom Corners



(4) LED Lights

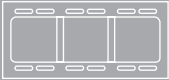


(8) Top Corners



(4) Backdrop Graphics  
(Ships Separately)

### BOX CONTENTS - TV MOUNT



(1) TV Mount



(2) TV Mount  
Brackets



(4) M5/M6  
Washers



(4) Spacers



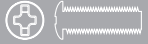
(4) M4 x 10mm



(4) M5 x 30mm



(4) M6 x 30mm



(4) M8 x 30mm

#### NOT FOR USE WITH DISPLAY



(4) Wall Anchors



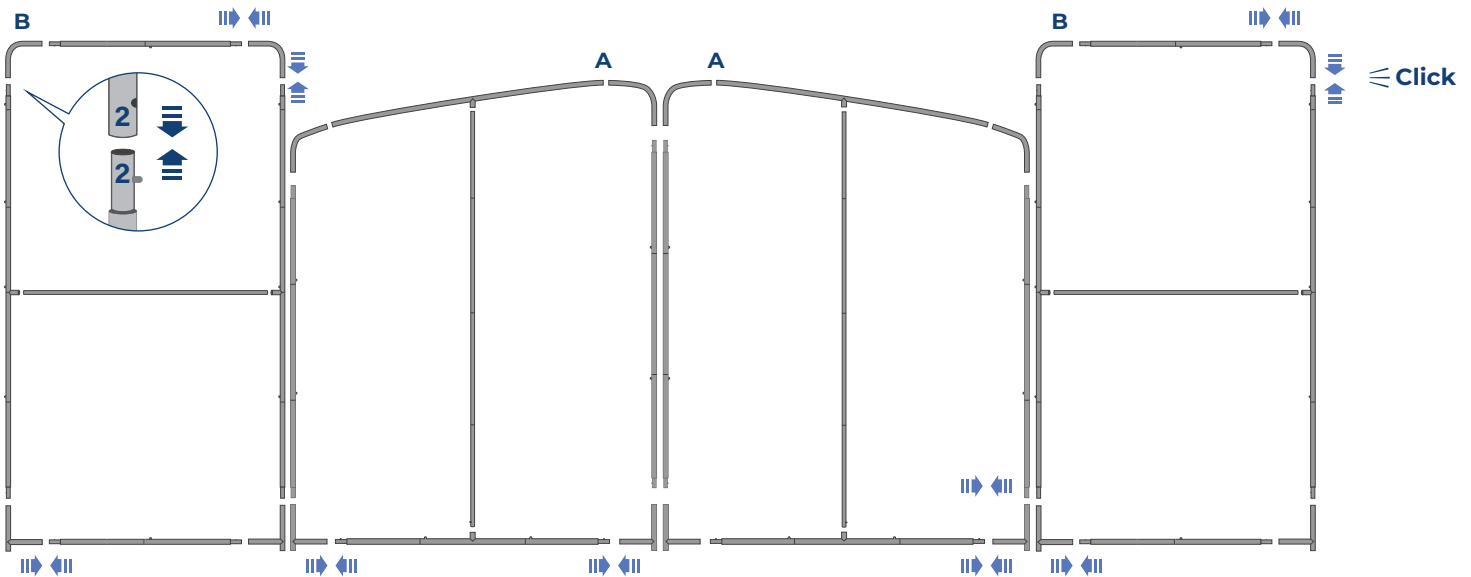
(4) Wall Anchor  
Screws



(4) Washers

1

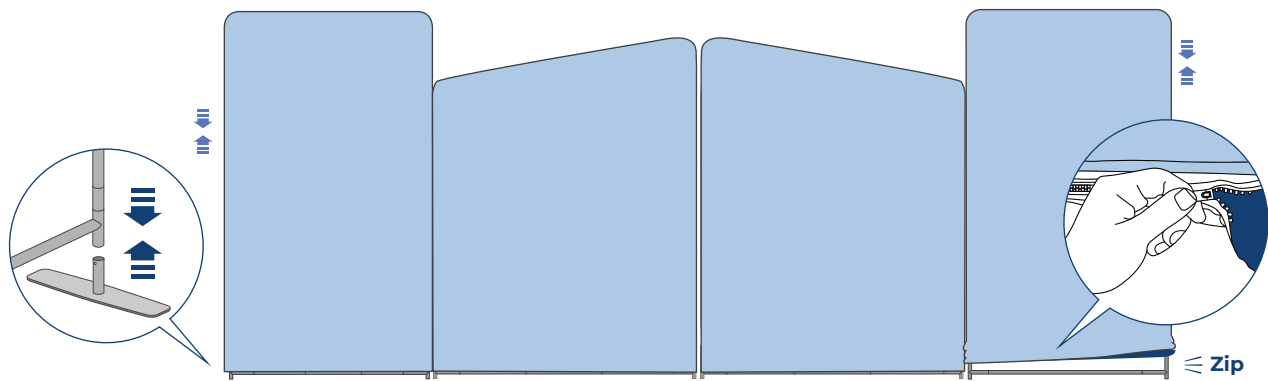
## Assemble the Frame



Set up one panel at a time to avoid mixing the Poles

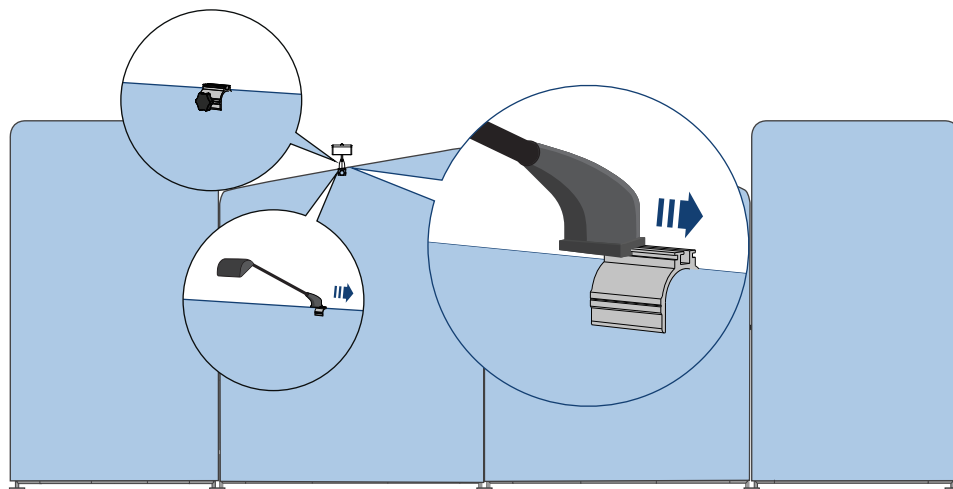
2

## Install the Graphics and Attach Feet



3

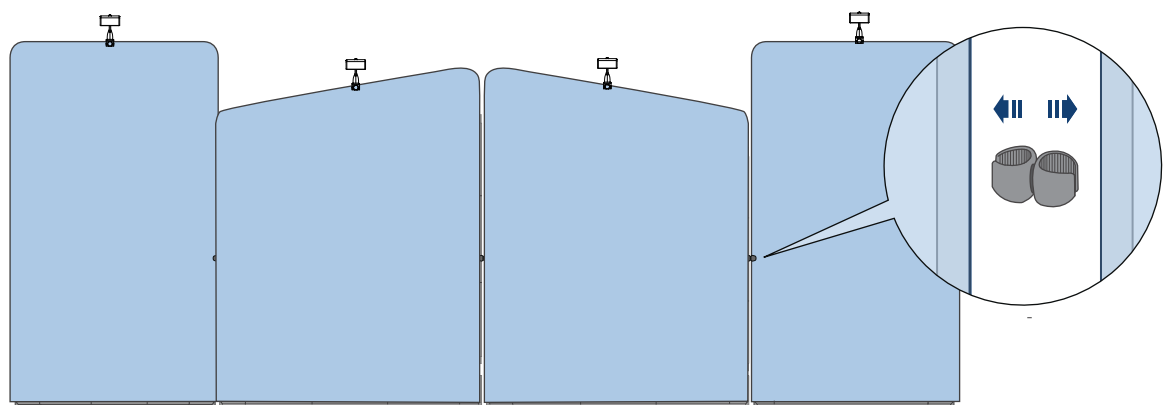
## Attach LED Lights



*To avoid damage, do not twist the knobs too tight.*

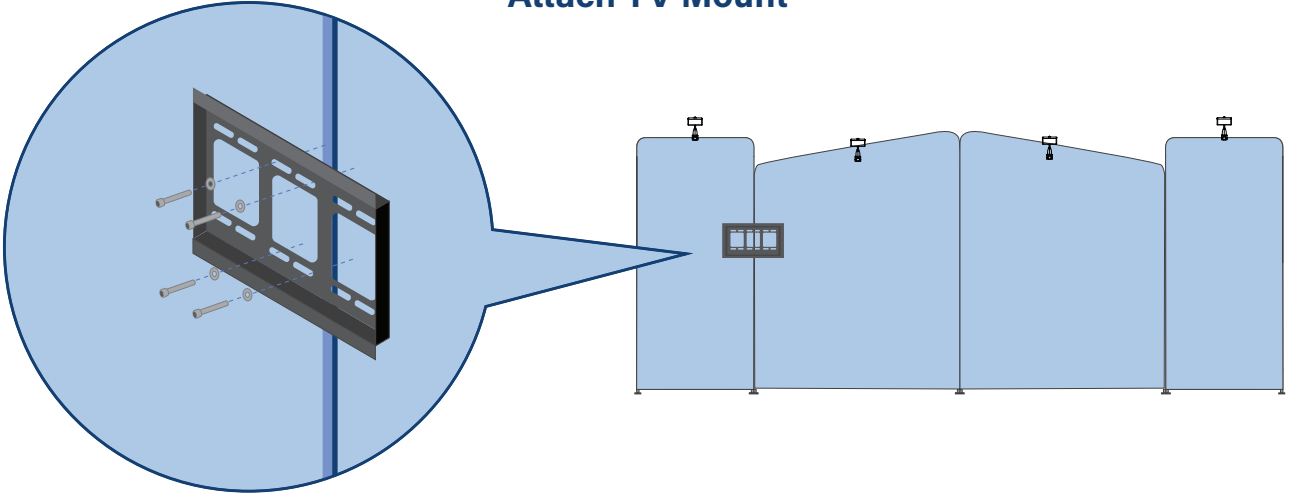
4

## Connect the Panels



5

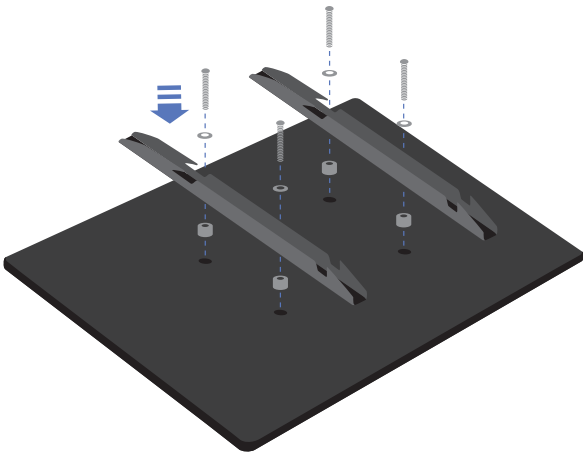
### Attach TV Mount



*Screw the TV Mount on the display using the M6 Screws and M6 washers.*

6

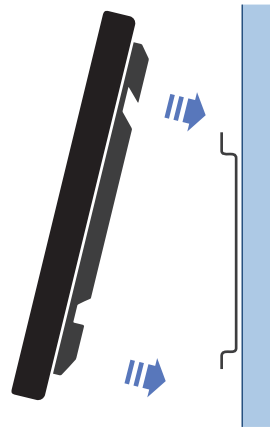
### Attach Brackets to Monitor



*Use the Spacers and M4, M5, or M8 Screws.*

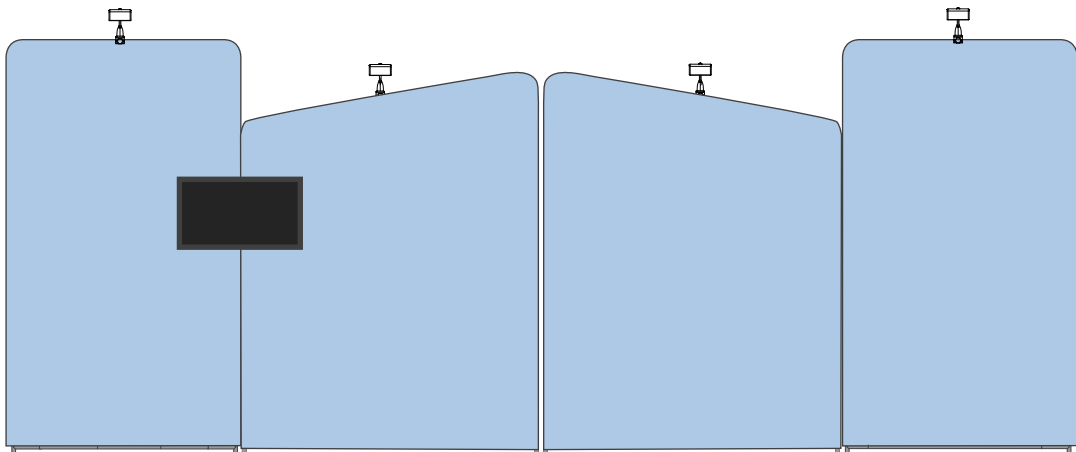
7

### Mount the Monitor



8

### Ready to Go!

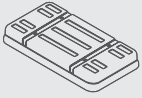




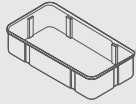
# Hardcase / Podium

## ASSEMBLY INSTRUCTIONS

### BOX CONTENTS



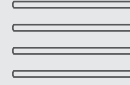
(1) Case Lid



(1) Storage Case



(1) Counter Top



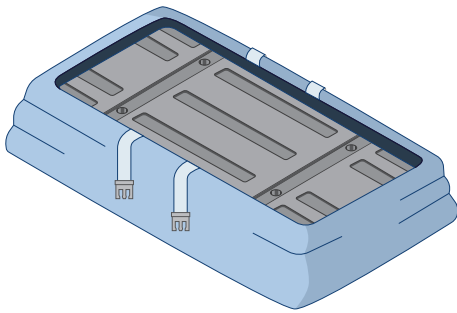
(4) Poles



(1) Podium Graphic  
(Ships Separately)

1

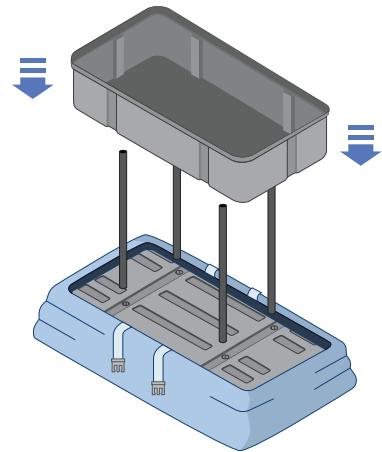
### Prepare the Base



*Tuck the bottom end of the Graphic under the Case Lid*

2

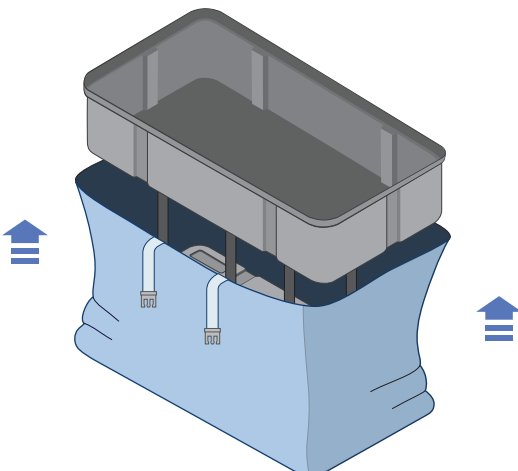
### Set Up the Hardware



*Install the Poles into the Case Lid, then install the Storage Case.*

3

### Pull Up Graphics



4

### Attach the Counter Top

