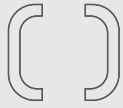


QuickZip™ Header Display

ASSEMBLY INSTRUCTIONS

BOX CONTENTS



(2) Side Poles



(2) Top & Bottom Poles



(2) Header Clamps

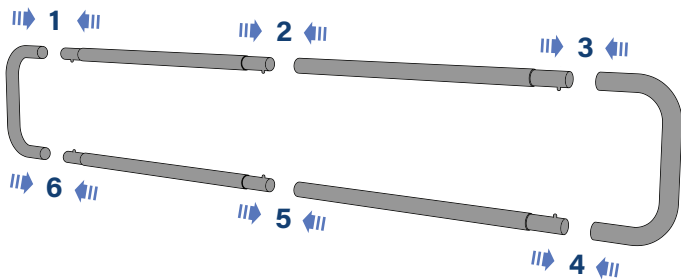


(1) Header Graphic
(Ships Separately)

1

Assemble the Frame

Connect the poles by matching up the numbers.

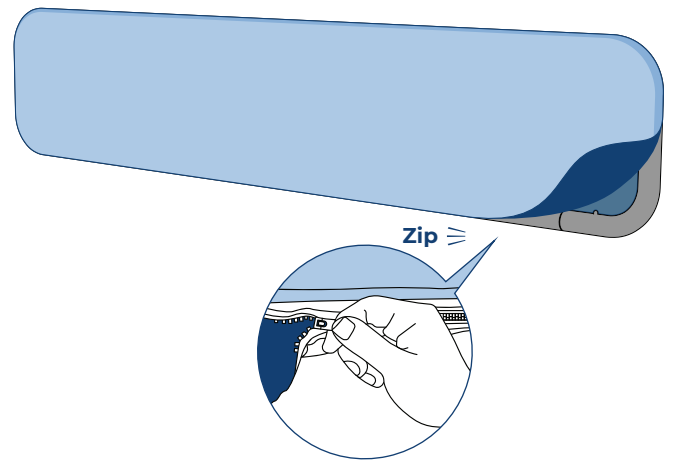


Match numbers 1 to 1, 2 to 2, etc.

2

Install the Graphic

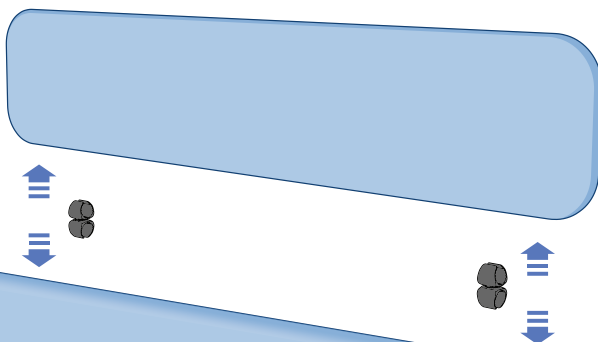
Carefully pull the graphic print over the frame, ensuring both sides are pulled down at the same time then zip up.



3

Attach Header to Backdrop

Place the backdrop display flat on the floor, align the header above the backdrop and attach the clamps between the frames.



4

Align the Display

Carefully lift the frame and Header back to an upright position. Your display is ready for action!

