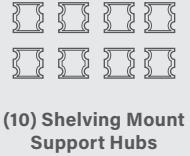
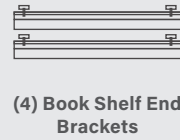
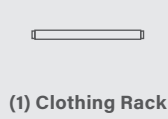
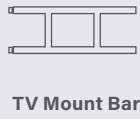
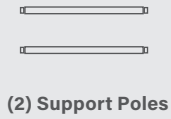


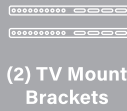
QuickZip™ Showcase

ASSEMBLY INSTRUCTIONS

BOX CONTENTS



BOX CONTENTS - TV MONITOR HARDWARE



NOT FOR USE WITH DISPLAY



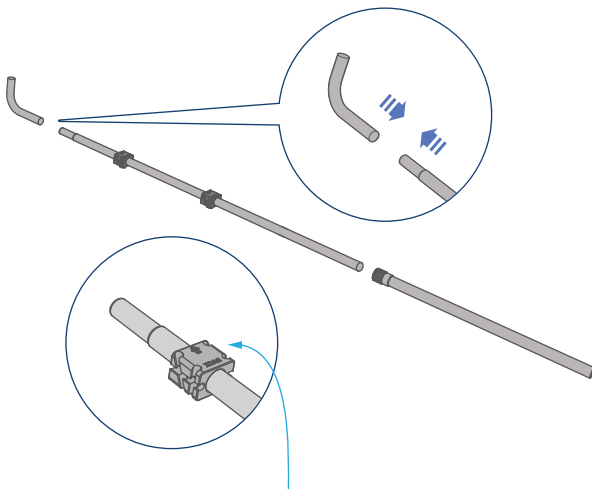
Frame Assembly and Installation

The frame can hold multiple configurations of shelves, along with a TV mount and clothing rack.

1

Assemble the Frame

Connect the poles with the shelf hubs to the fastener poles and the top corners.

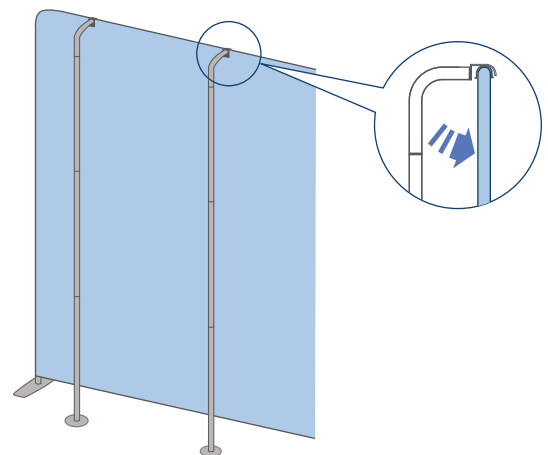


The arrow mark on the hub should point up.

2

Attach to Backdrop

Insert the top of the aluminum tube in between the metal clamp & attach the metal clamp to the backdrop and fasten the screw.



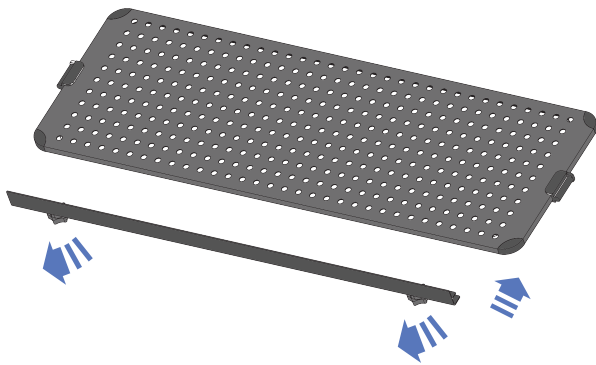
Adjust the tube's height and tighten in place with the twist knob.

Shelf Installation

Up to four shelves can be installed in different configurations

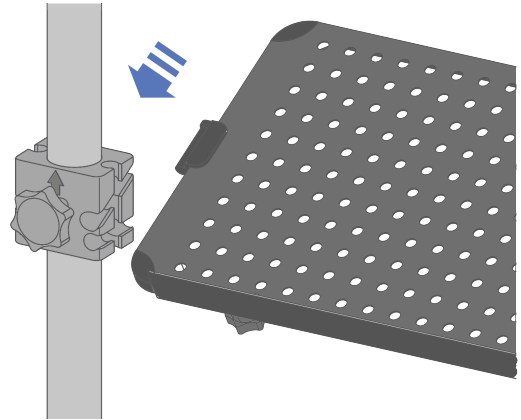
1 Attach Shelf Ends (optional)

Attach the end brackets to the shelves and tighten using clamp screws on the back.



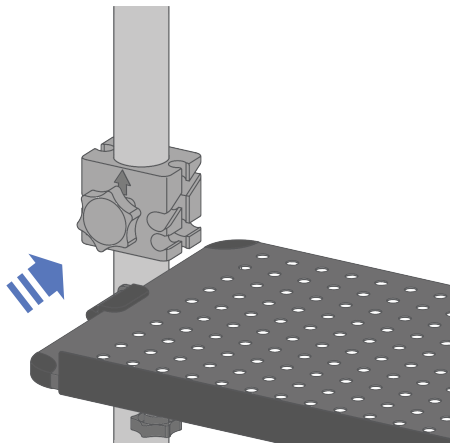
2 Sloping Shelf

Slide the shelf into the shelf support hubs from the back at a 45° angle.



3 Flat Shelf

Slide the shelf into shelf support hubs from the front.



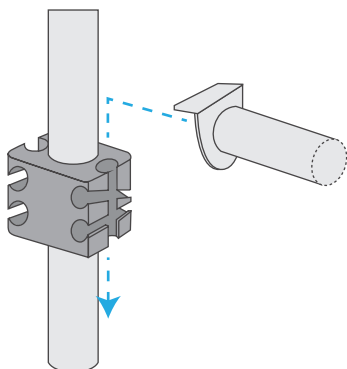
4 Ensure Shelves are Level

Adjust the hubs as needed to ensure shelves are aligned at the same height on both sides.

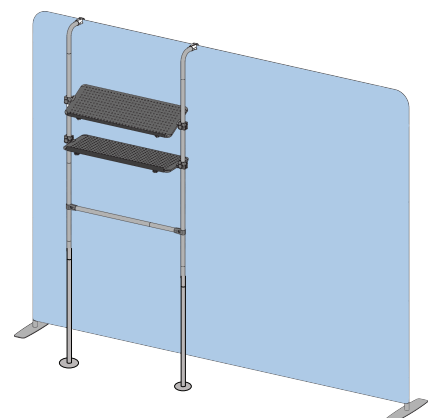


5 Clothing Rack (optional)

Clip the cross bar onto the pole and secure into place using the provided screws.



6 Example Configuration



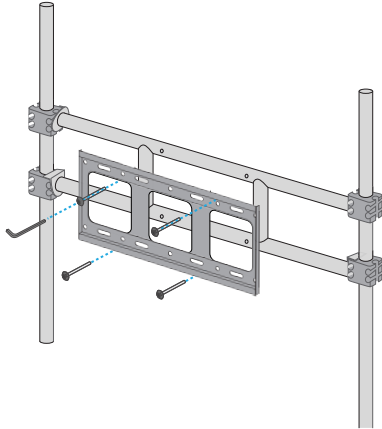
TV Mount Installation

Mounting bar uses vertical and horizontal tubes, and is easy to install onto support hubs.

1

Attach TV Mount

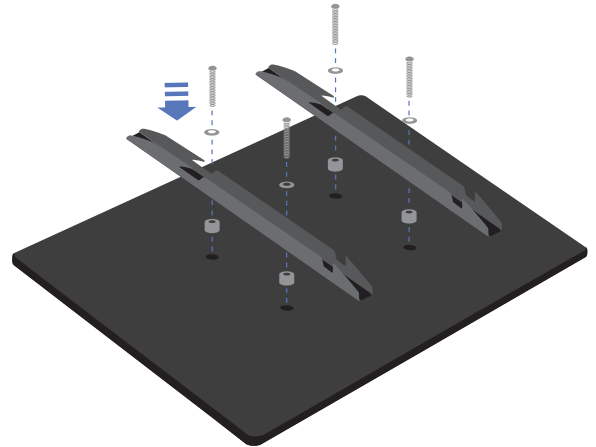
Screw the TV Mount to the TV mount bar using the M6 screws and M6 washers.



2

Attach Brackets to Monitor

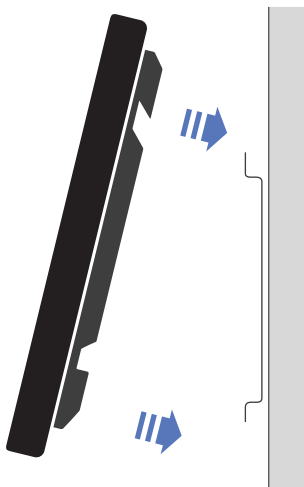
Attach the brackets on your monitor using the M5 or M8 TV Bracket Screws.



3

Mount the Monitor

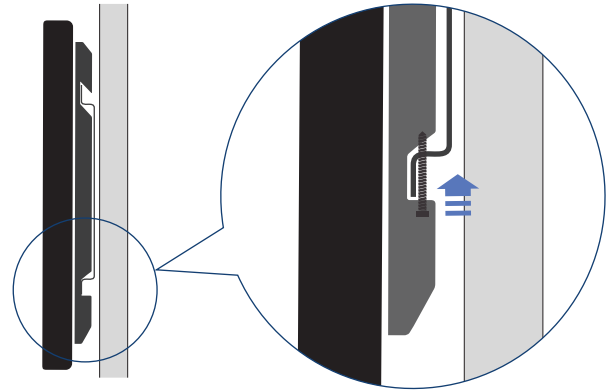
Attach the monitor bracket hooks to the top of the monitor mount.



4

Secure the Brackets

Insert the 3" Bracket Support Screws into the bottom holes of the brackets in order to safely secure the monitor to the mount.



5

Example Configuration

