

EXECUTIVE KIT DISPLAY

FRAME HARDWARE



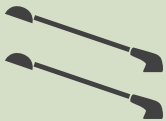
Connector Clamp (4)



Snap Tubes (22)



Support Feet (4)



LED Lights (2)



Light Clips (2)

HEADER HARDWARE

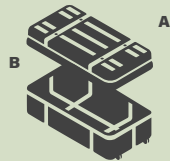


Riser Connectors (4)



Riser Extender Poles (2)

PODIUM HARDWARE



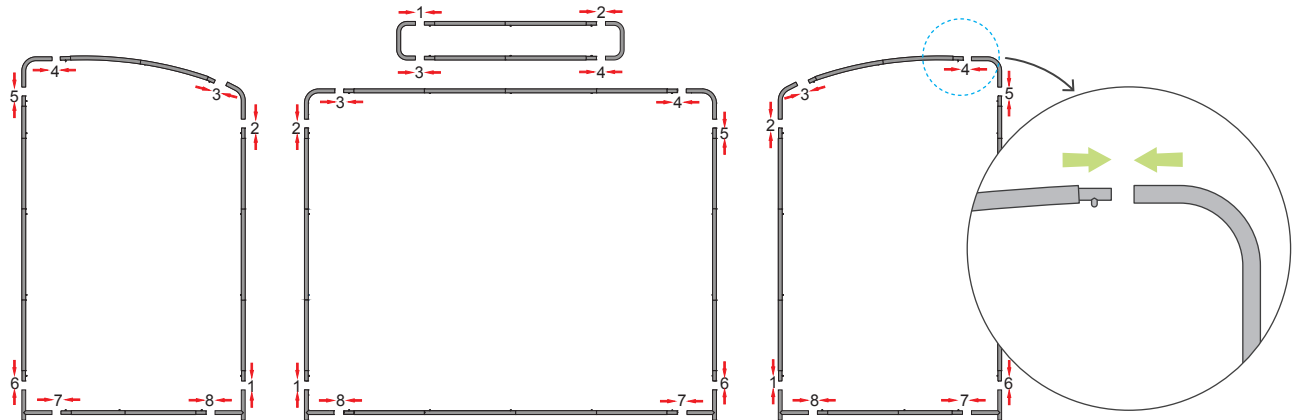
Case Shell A + B (1)



Poles (4) + Counter Top (1)

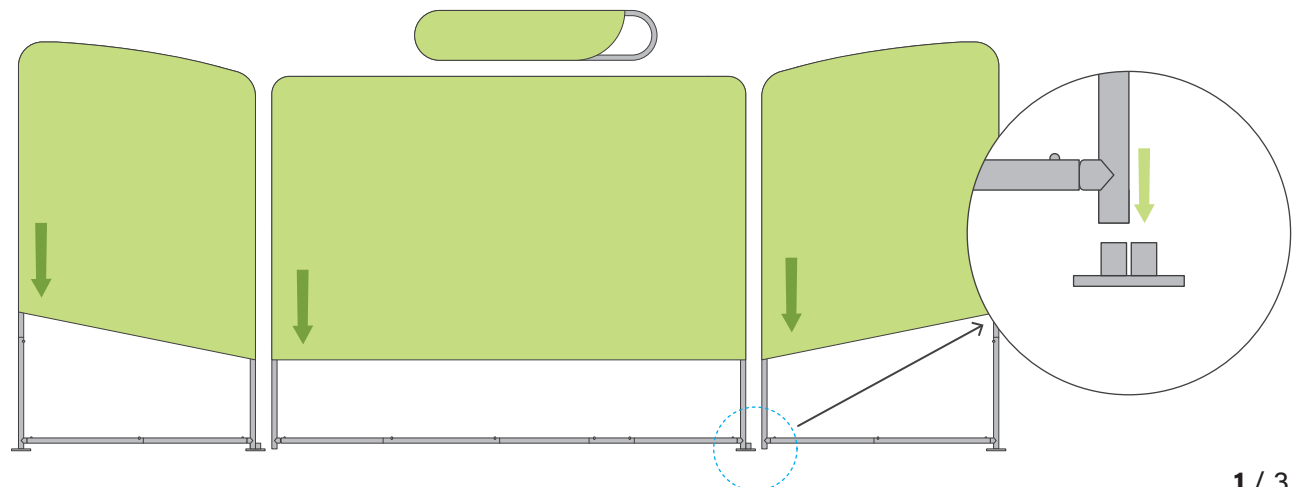
1 Assembling the Frame

Using the numbers on the frame, connect the poles together (connecting vertical poles first).



2 Installing the Graphics

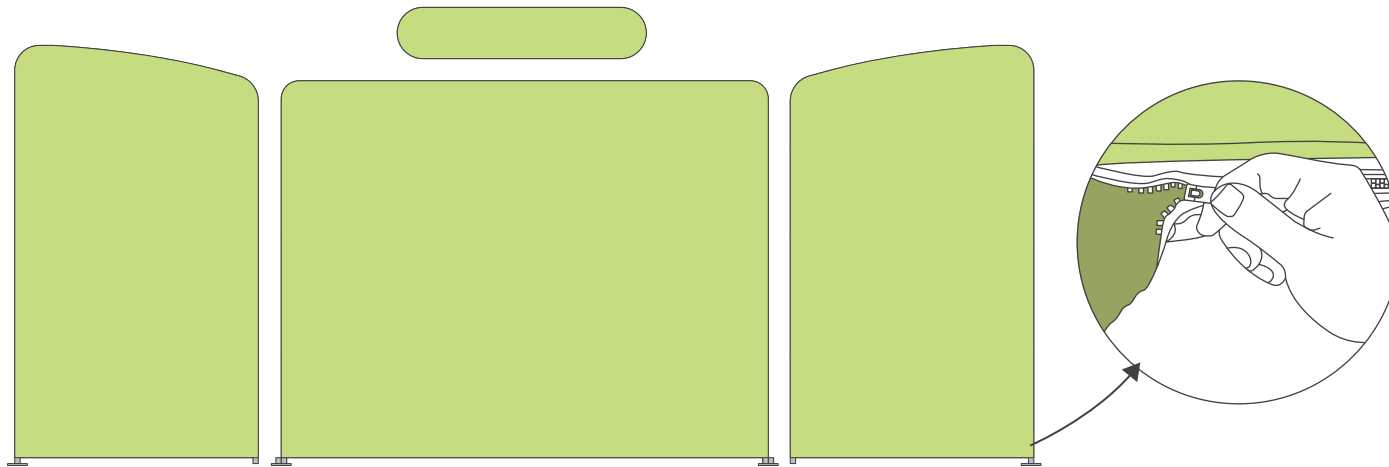
Pull the graphics downward onto the display and then attach the feet to the panels.



EXECUTIVE KIT DISPLAY

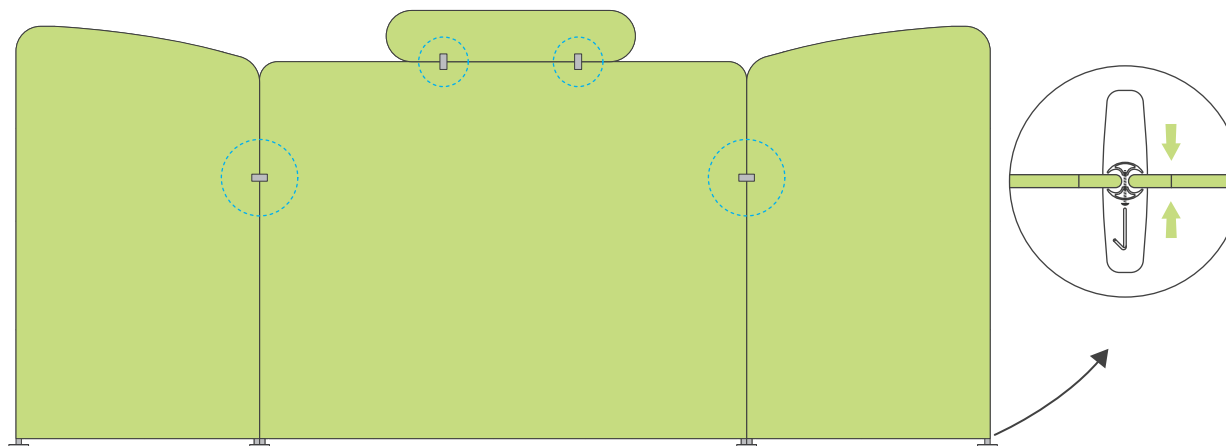
3 Zipping Up the Graphics

Wrap the graphics around the frame and zip them up, then adjust the graphic to ensure it's straight.



4 Clamping the Panels

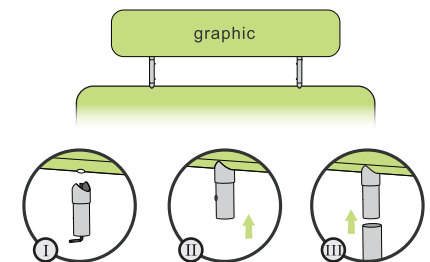
Clamp the header panel onto the top and then clamp the three main panels together in the back.



Tall Header Option (Risers)

Screw the plastic connectors on the Header, and slide the Riser Extender Poles into the connectors.

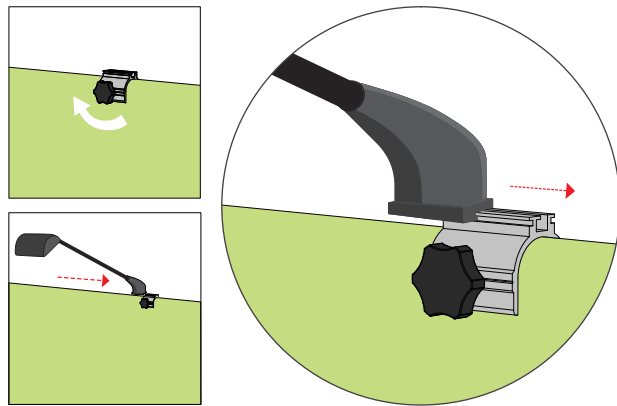
Repeat the same process on the display and attach the Header on top of the frame.



EXECUTIVE KIT DISPLAY

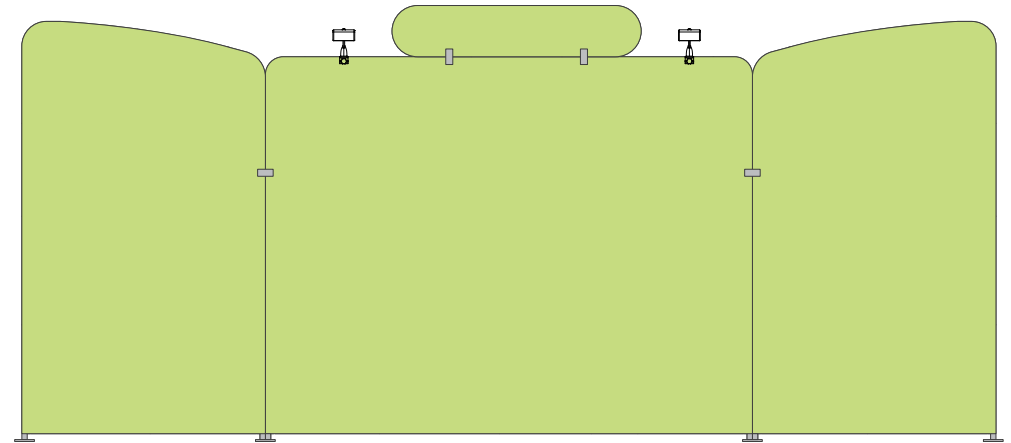
5 Installing the LED Lights

Affix the Light Clips on top of the frame and screw it tight. Then slide the LED lights through the grooves.



6 Ready!

Your Executive Kit display is now ready!



DISASSEMBLING THE DISPLAY

1. Bend the top of the frame down so that you can remove the lights.
2. Unzip the Tension Fabric to loosen it from the frame.
3. Completely remove the graphic.
4. Unhook the frame using the push-pins to release it.

REPACKING THE DISPLAY

1. Fold the graphic neatly to avoid damage.
2. Place the frame pieces back into the case.
3. The lights should be returned to their casing to prevent damage.
4. Secure and fasten the case and wheel away.