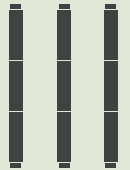


TRU-FIT CURVED DISPLAY

WHAT'S INCLUDED



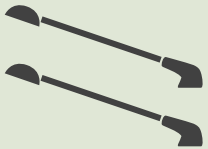
Curved Poles (2)



Straight Poles (3)



Corner Poles (4)

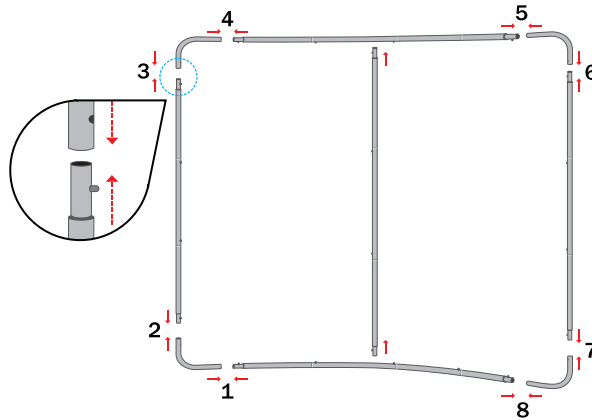


Optional LED Lights (2)

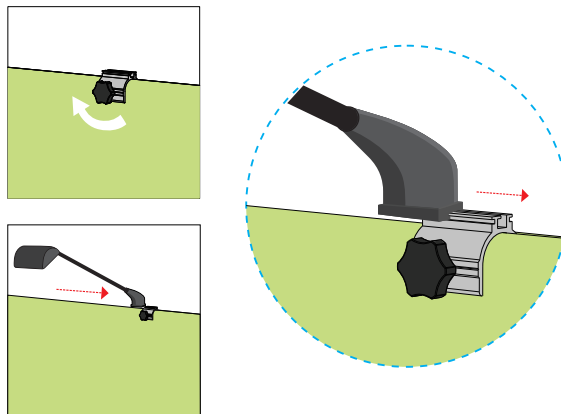


Light Clips (2)

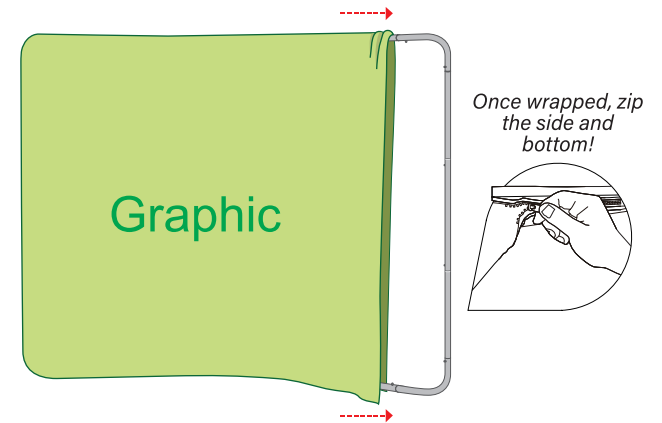
- 1** Place the aluminum tubes on the floor. Connect the tubes together using the numbers on the frame.
For example: 1 connects with 1, 2 with 2, etc.



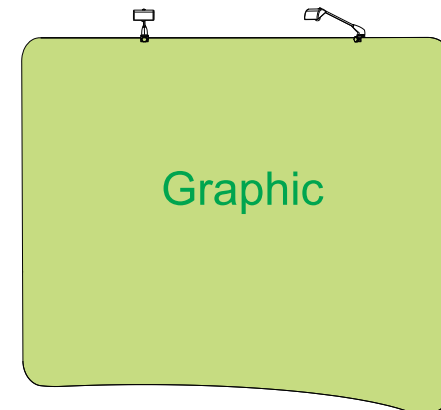
- 3** **Installing Optional LED Lights**
Lift the frame halfway up and affix the Light Clips on top of the frame and screw it tight. Then slide the LED lights through the grooves.



- 2** Wrap the graphics around the frame and carefully pull both the corners. Make sure the fabric slides over the frame gently.



- 4** Now stand the display upright, adjust the corners to ensure it's standing straight, and your display is ready for action!

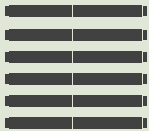


Note: If the display does not stand straight, you can adjust the frame by having a person grab each side and gently shifting the top corners until the display stands fully upright

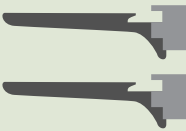
MONITOR STAND

WHAT'S INCLUDED

Waterfall Hardware



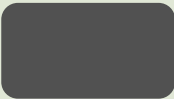
Straight Poles (6)



Shelves Brackets (4)



T1 Center Pole (1)



Shelves (2)



End Poles (2)



Corner Poles (4)

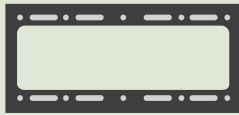


Top Connector (1)



S2 - Shelves Screws (4)

Monitor Mount



TV Mount Main Support (1)



TV2 - TV Support Screws Large (4)



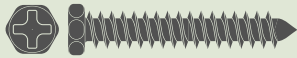
TV Mount Brackets (2)



TV1 - TV Support Screws Small (4)



Metal Washers (8)



S1 - Stand Support Screws (4)

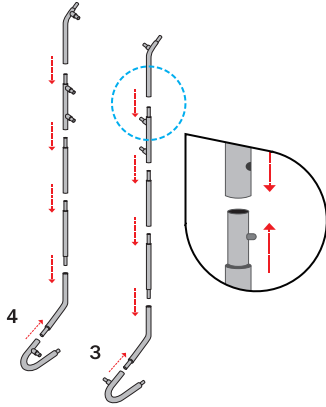


B1 - TV Bracket Bottom Screws (2)

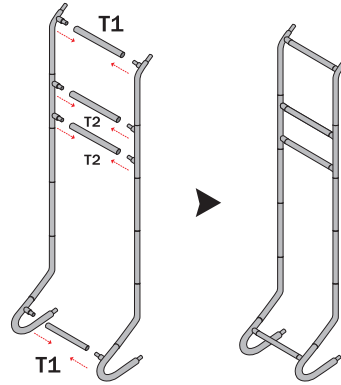
MONITOR STAND

Assembling the Frame

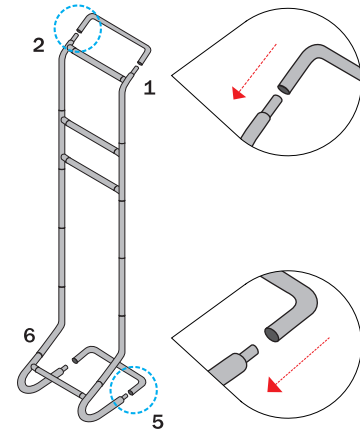
1 Using the numbers, connect the poles together on the right and left sides.



2 Connect both sides together by using the T1 & T2 center poles.

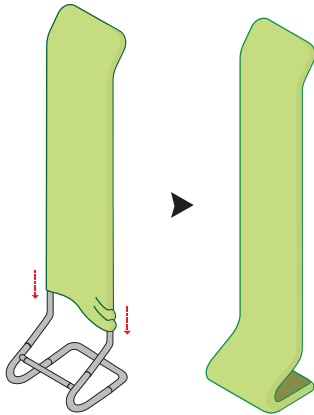


3 Connect both the top and bottom end poles.

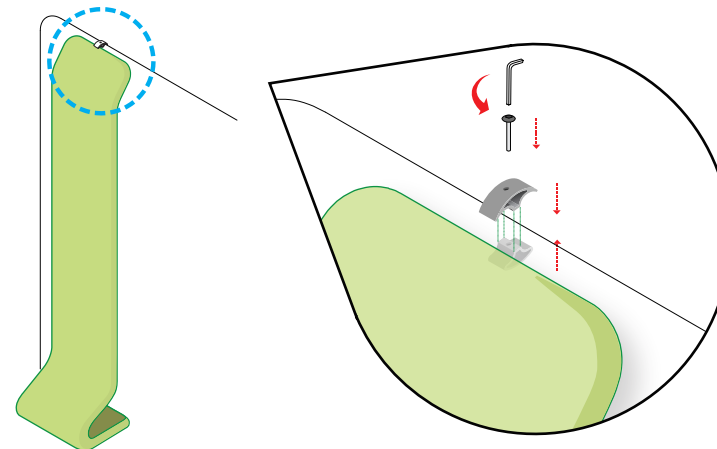


Wrap and Attach

4 Wrap the graphic over the corners and gently slide over the frame, pull taut, and zip around the end.



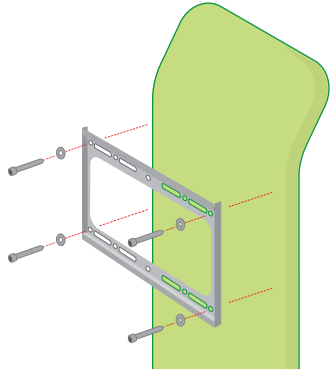
5 Use the Top connector piece to attach and secure the Waterfall to the Backdrop frame. Use the Allen key to screw it in place.



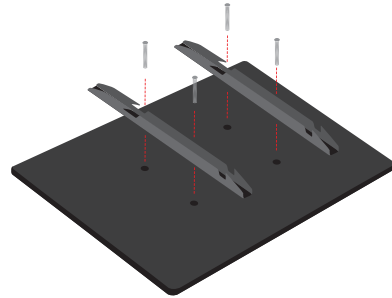
MONITOR STAND

TV Mount Installation

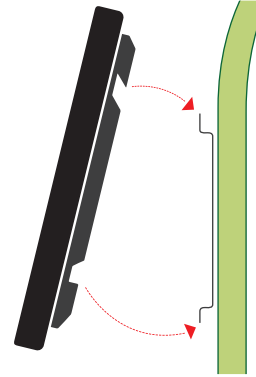
- 1 Screw the TV Mount on the Waterfall using the S1 screws and metal washers.



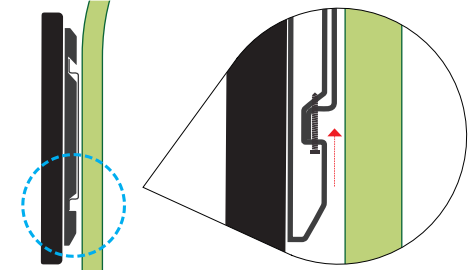
- 2 Attach the brackets on your monitor using the correct sized screws (TV1 or TV2).



- 3 Hang the monitor by first using the top hooks and then allowing the bottom to gently rest in place.

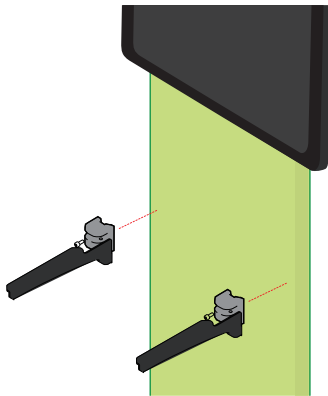


- 4 Secure the TV by inserting the (B1) screws to connect the brackets to the mount.

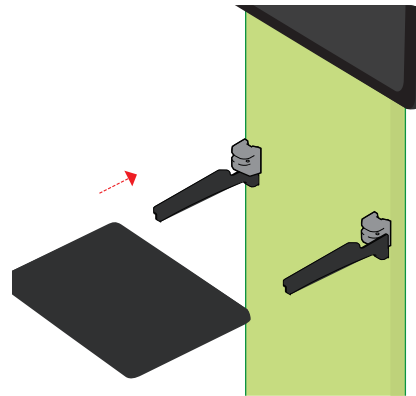


Placing the Shelves

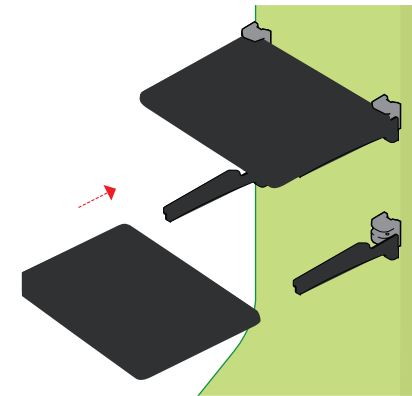
- 1 Screw the brackets with S2 screws onto the TV Stand, the straight side of the bracket facing up.



- 2 Place the shelf on top of the metal support and secure by sliding into the plastic brackets.



- 3 Repeat the process with the second shelf.
Note: Shelves can support up to 10 lbs each



TRU-FIT HEADER

WHAT'S INCLUDED



End Poles (2)



Poles (2)



Riser Connectors (4)



Riser Extender Poles (2)

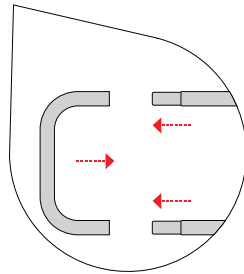
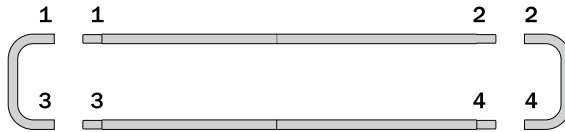


Spring Pins (4)



Short Clamps (2)

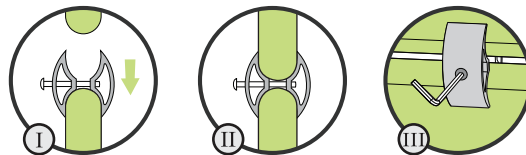
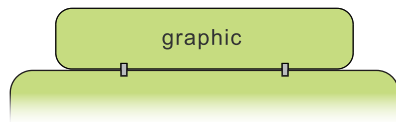
1 By following the correct numbers, assemble the poles and sides in place



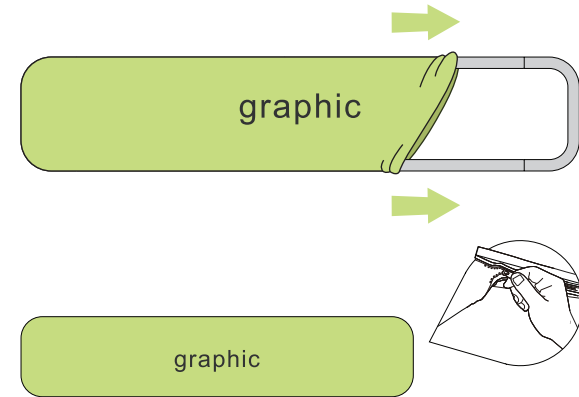
3a Short Header Option (Clamps)

Starting with the display flat on the floor, align the Header above the main frame and attach the clamps between the frames.

Then tighten the clamps with the allen key to secure the Header in place, and carefully lift the frame and Header back to an upright position.



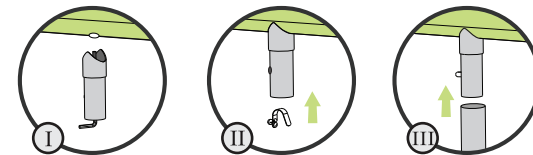
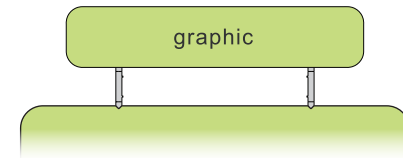
2 Wrap the graphics and carefully pull the corners. Make sure it is tight and zip it up.



3b Tall Header Option (Risers)

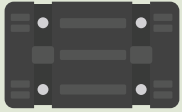
Screw the plastic connectors on the Header, insert one spring pin inside each connector and slide the Riser Extender Poles into the connectors.

Repeat the same process on the display and attach the Header on top of the frame.



PODIUM (HC-101)

WHAT'S INCLUDED



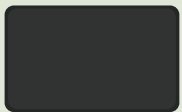
Case Shell A (1)



Case Shell B (1)

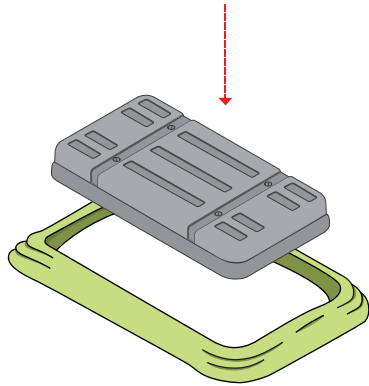


Poles (4)

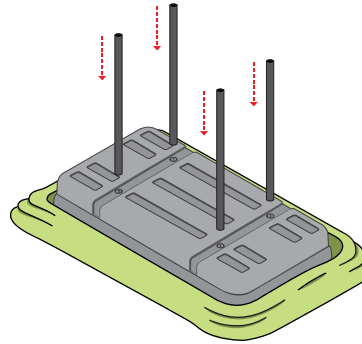


Counter Top (1)

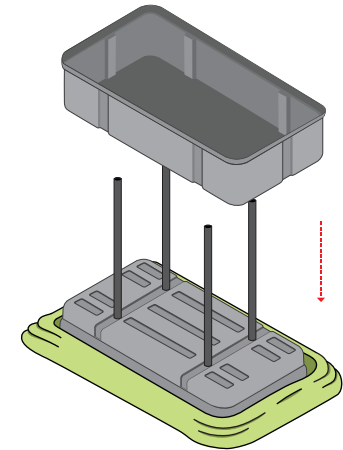
1 Place Case Shell A on the floor and envelope the graphics around it



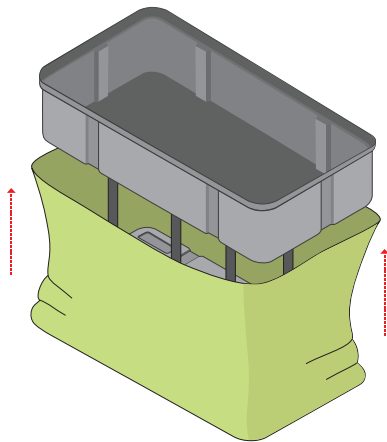
2 Insert the poles into the holes and twist or press down firmly until they are secure in place.



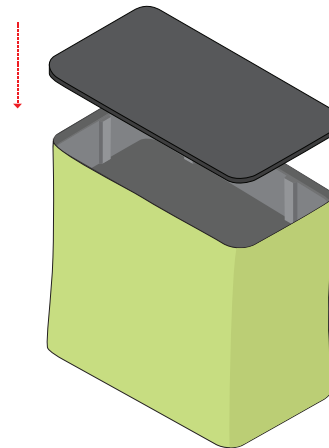
3 Align Case Shell B over the poles, fitting them inside the correct holes.



4 Pull the graphic over the case top, one corner at a time. Zip up the back, and adjust the graphic so that it's straight



5 Place the black Counter Top piece on top and press down to ensure the grooves fit over the edges of the case shell.



6 You can hid your samples or collateral inside your podium by lifting the lid on the top (6a) or opening up the graphic's zipper behind it (6b).

